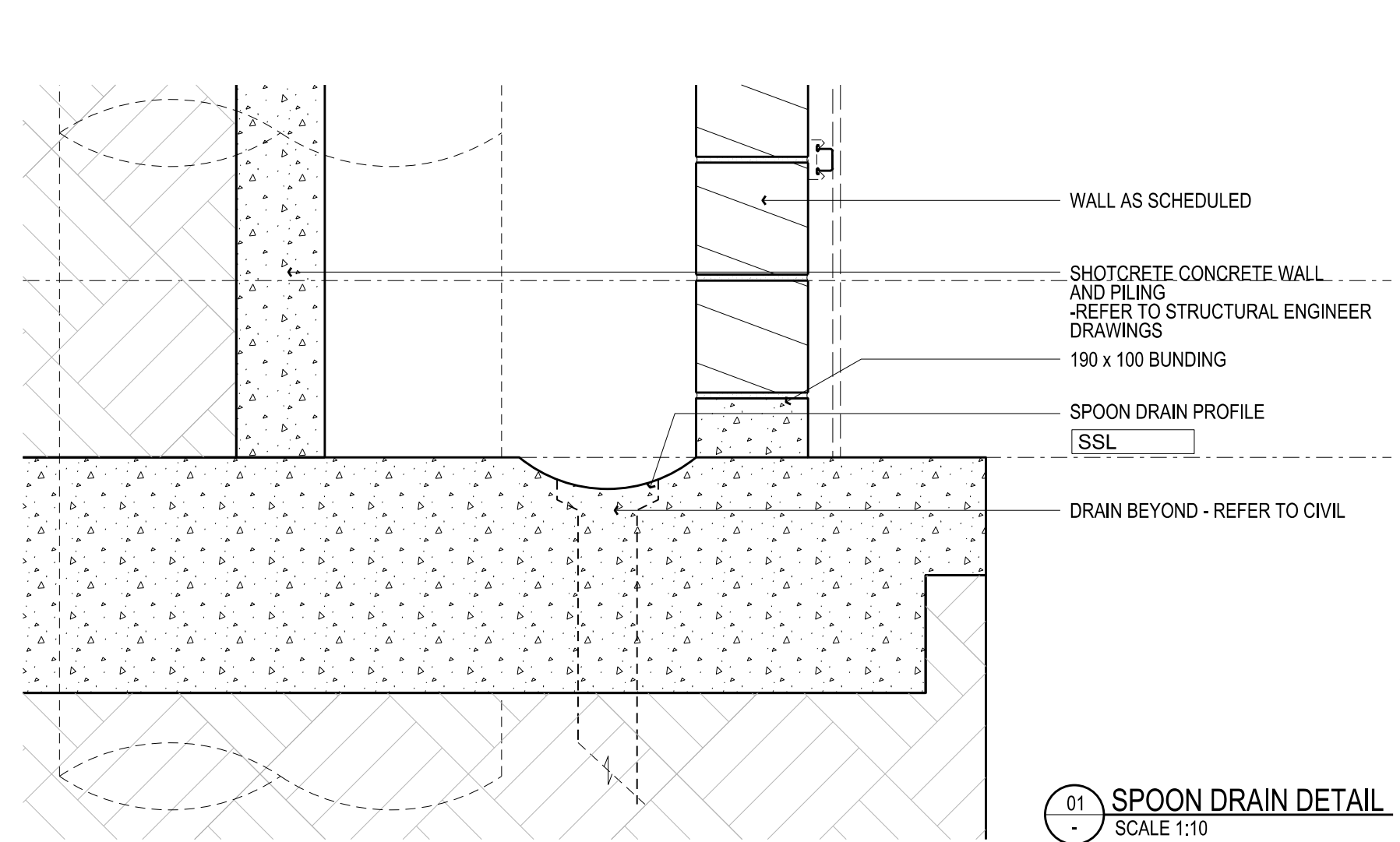


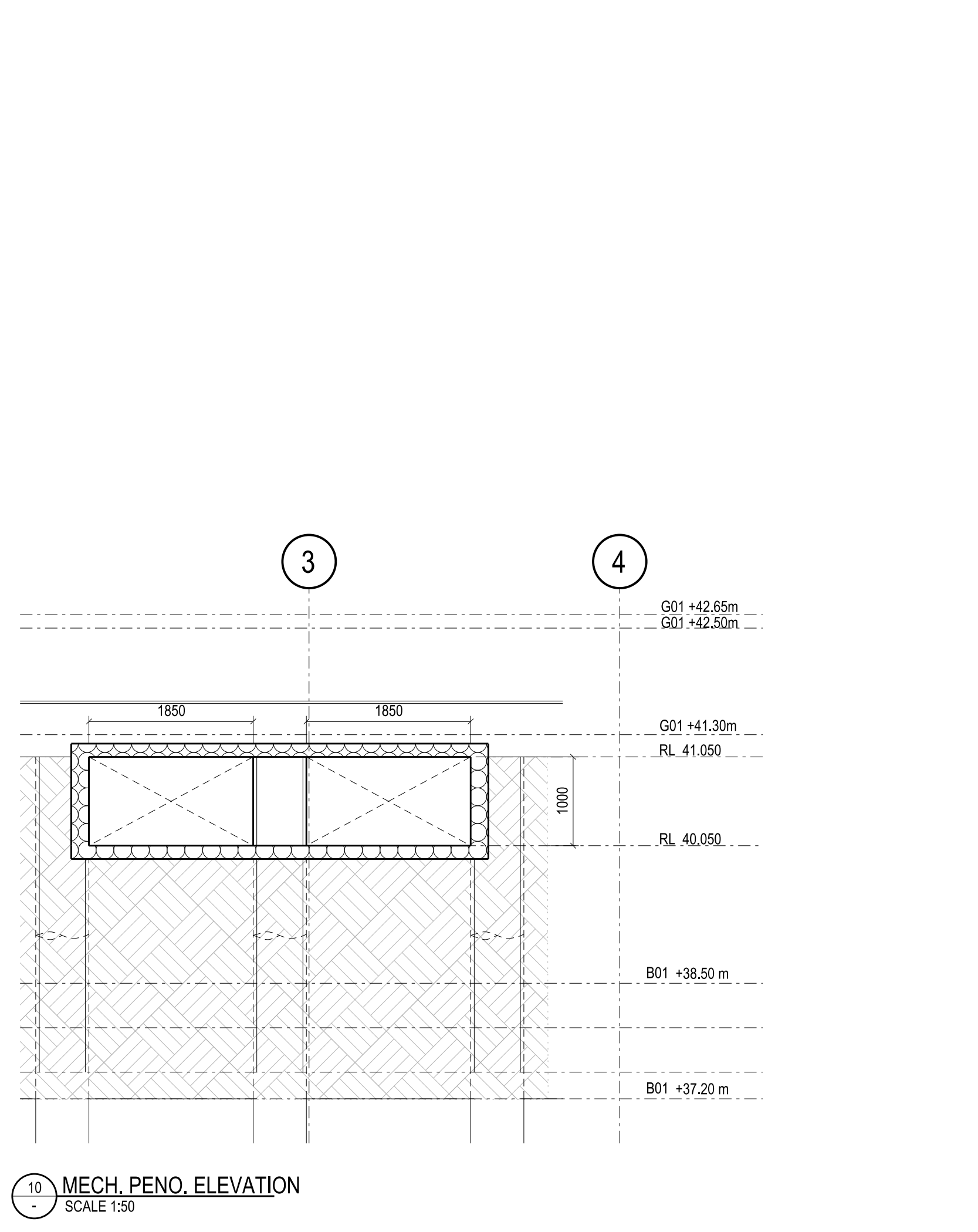
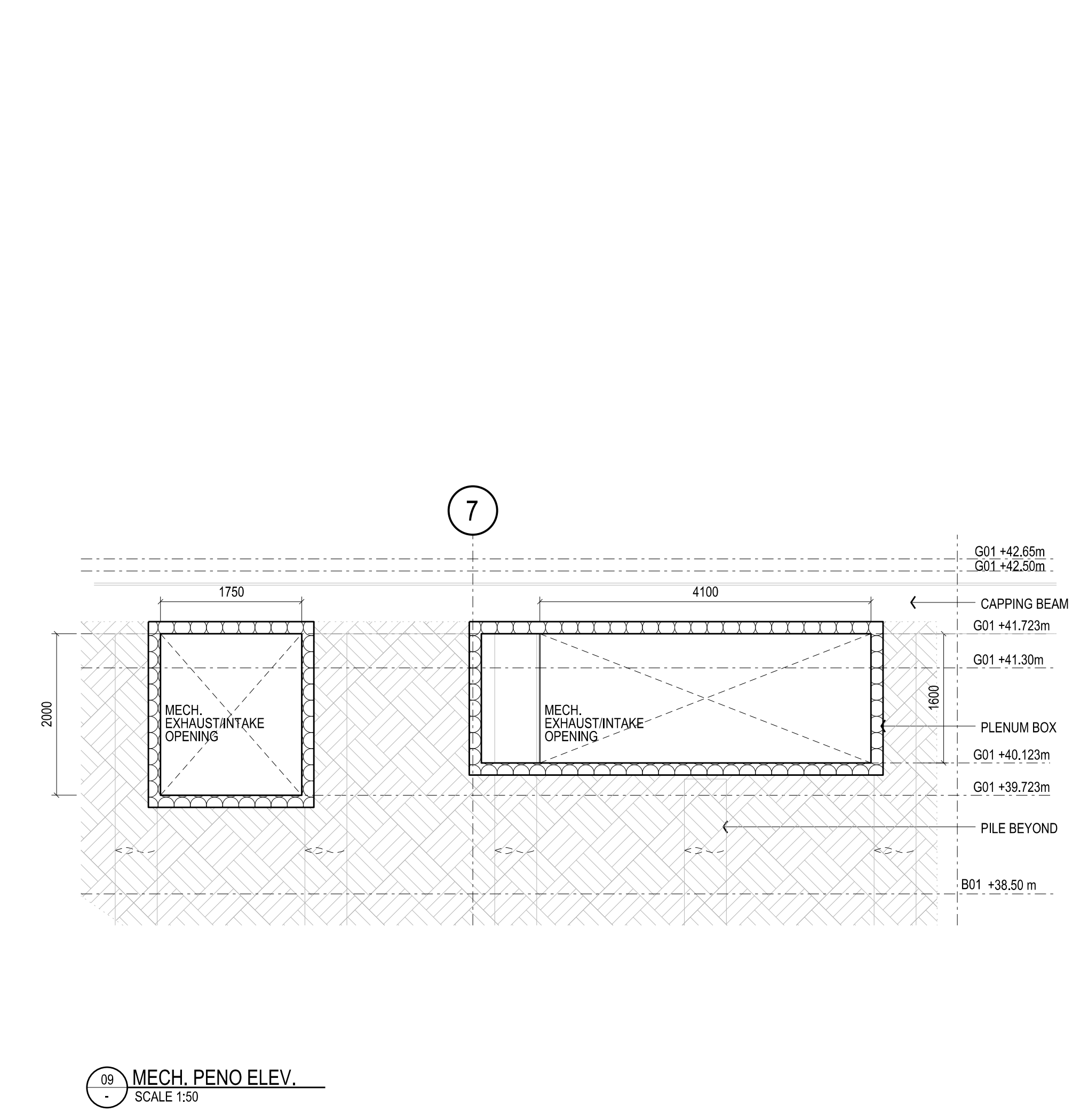
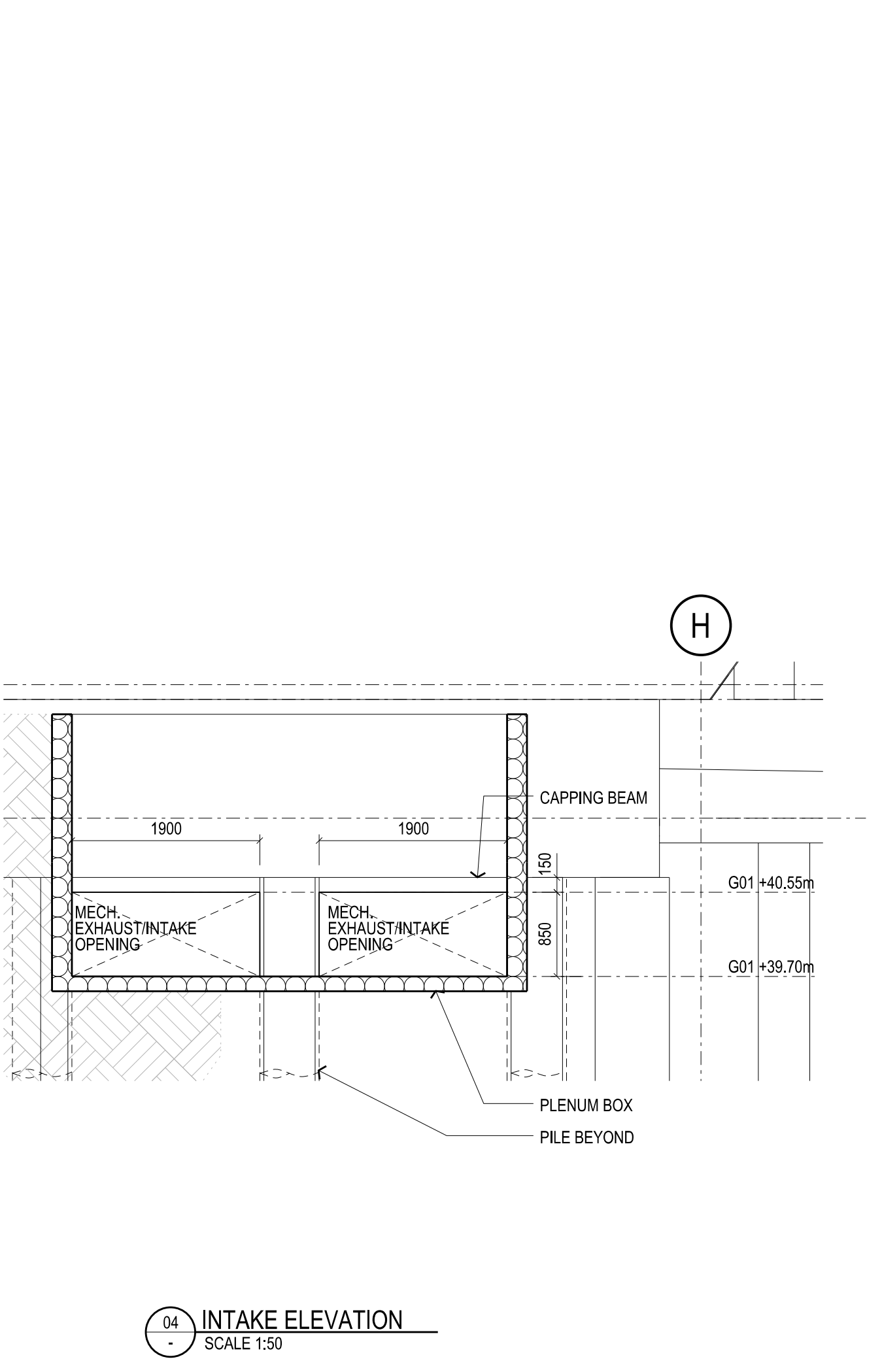
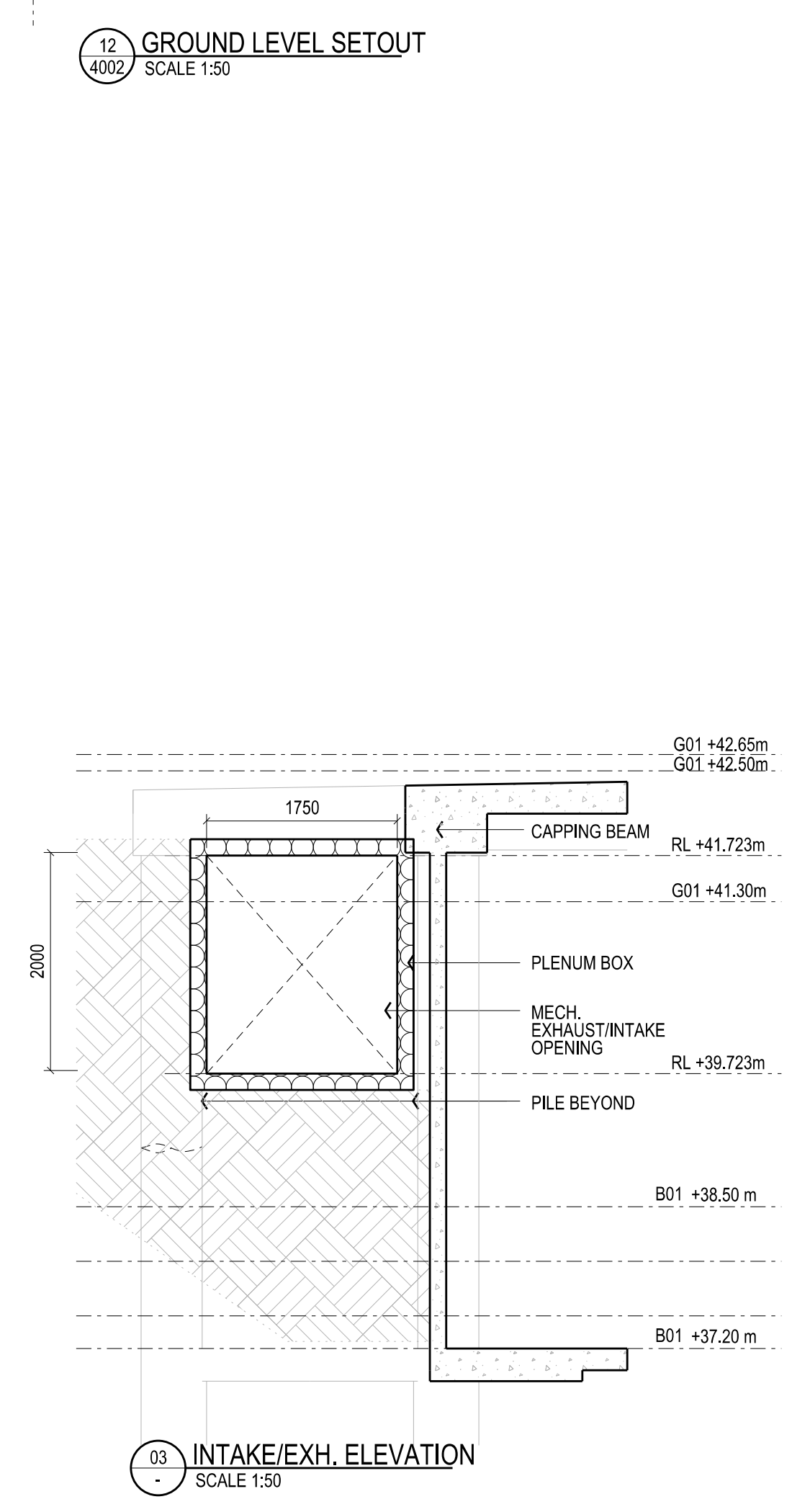
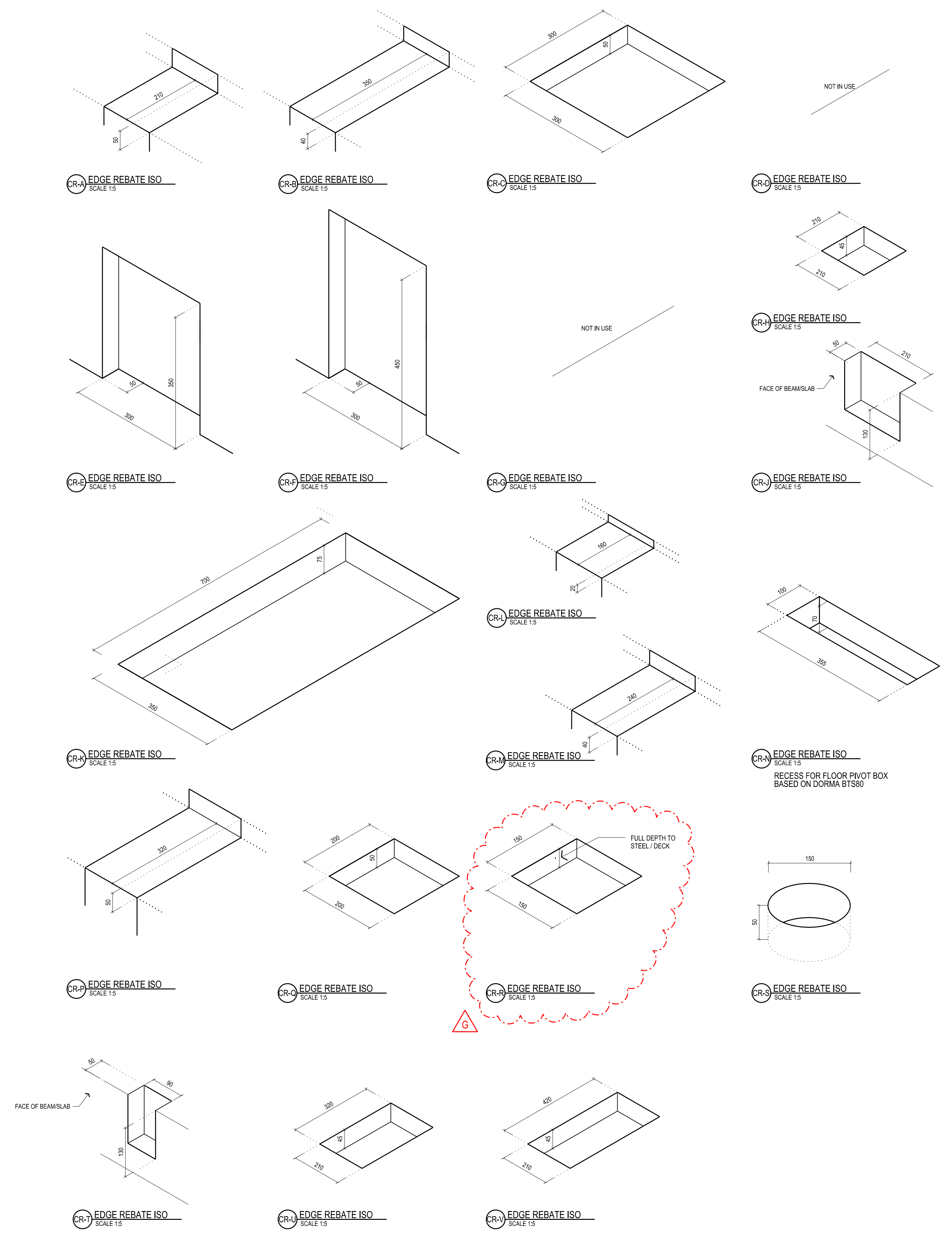
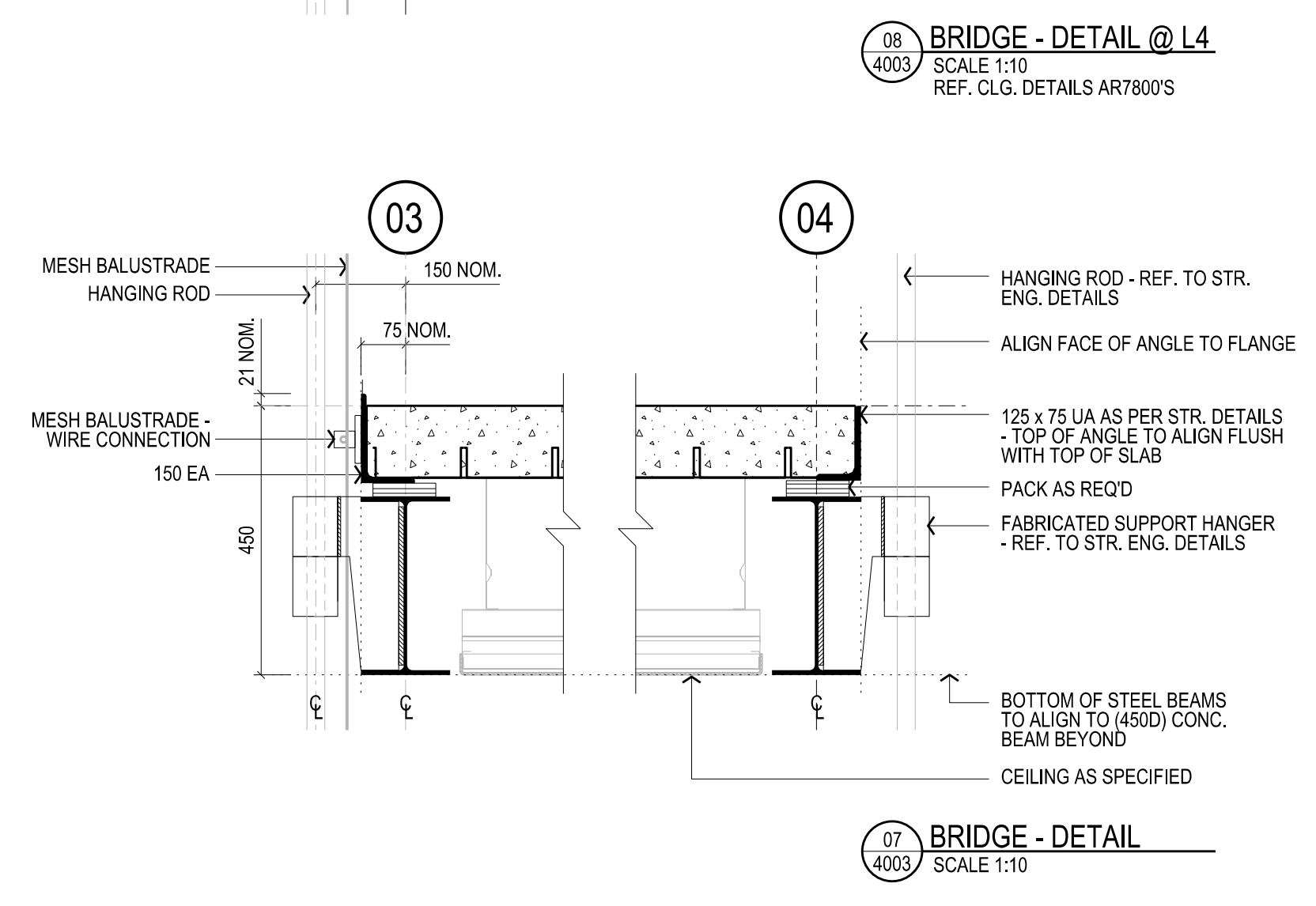
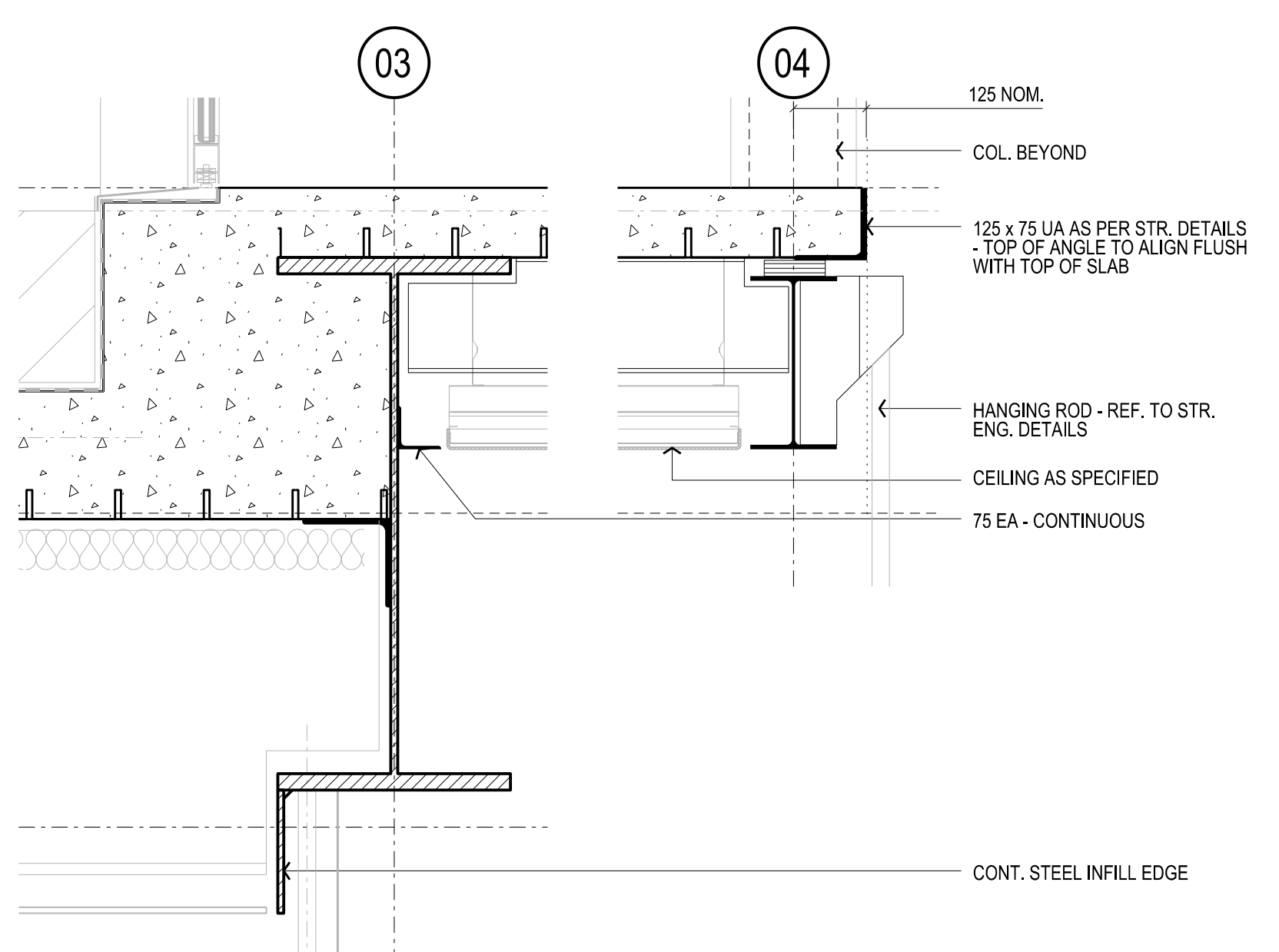
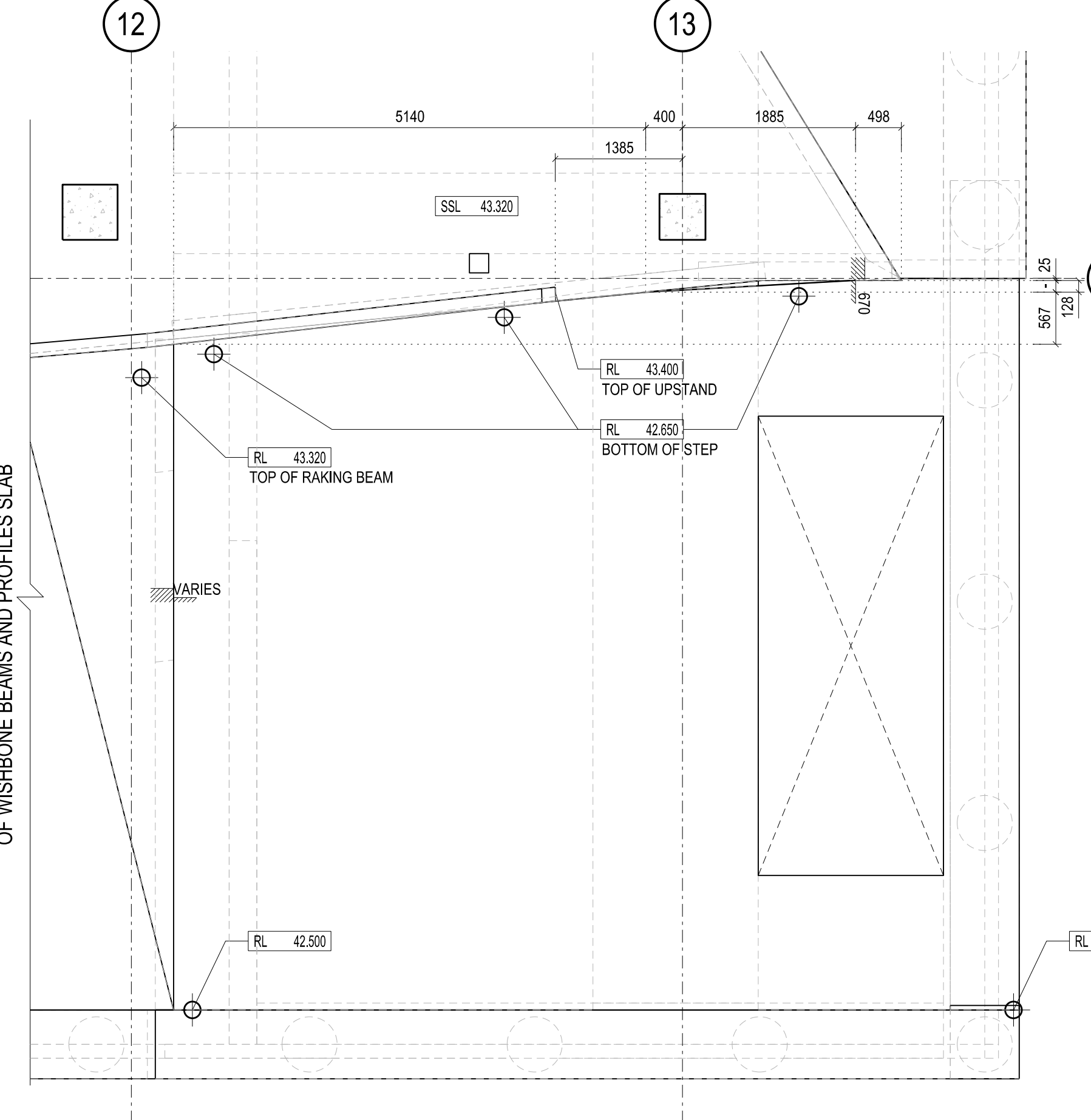
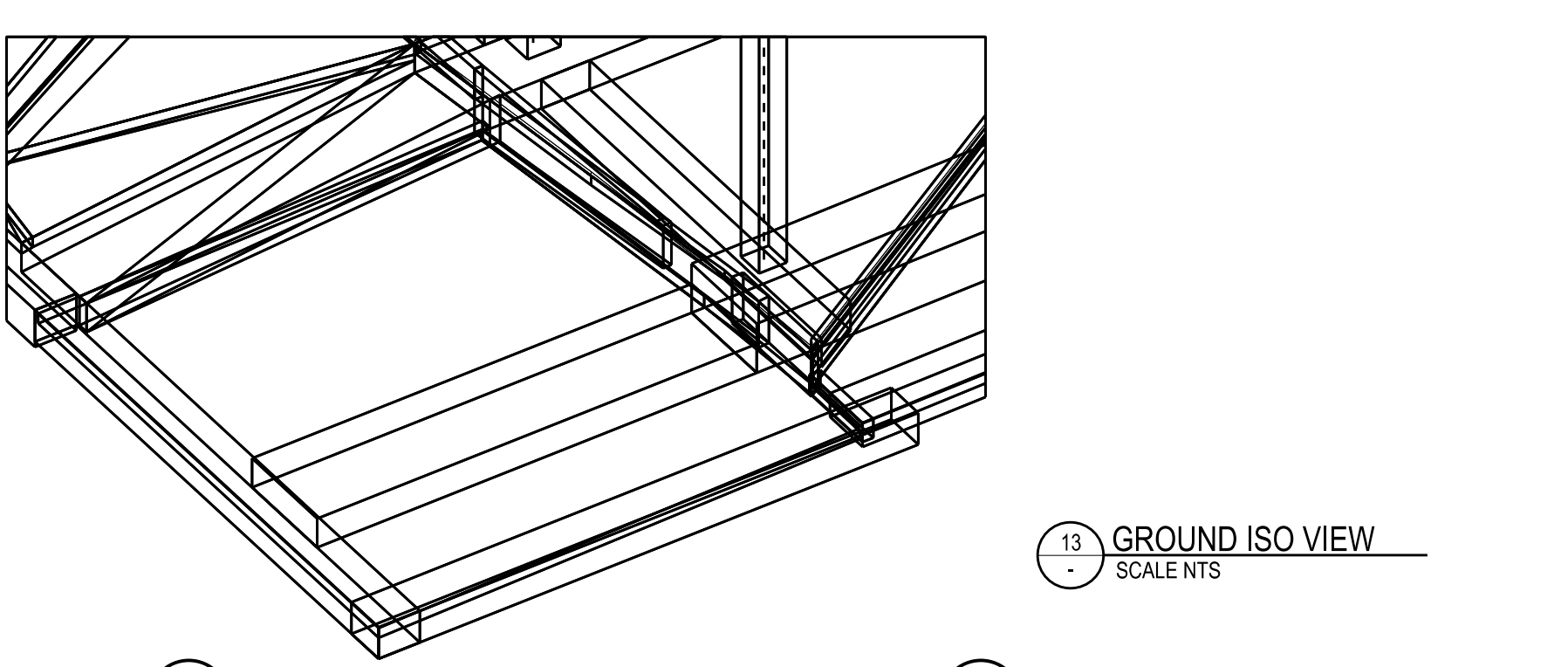
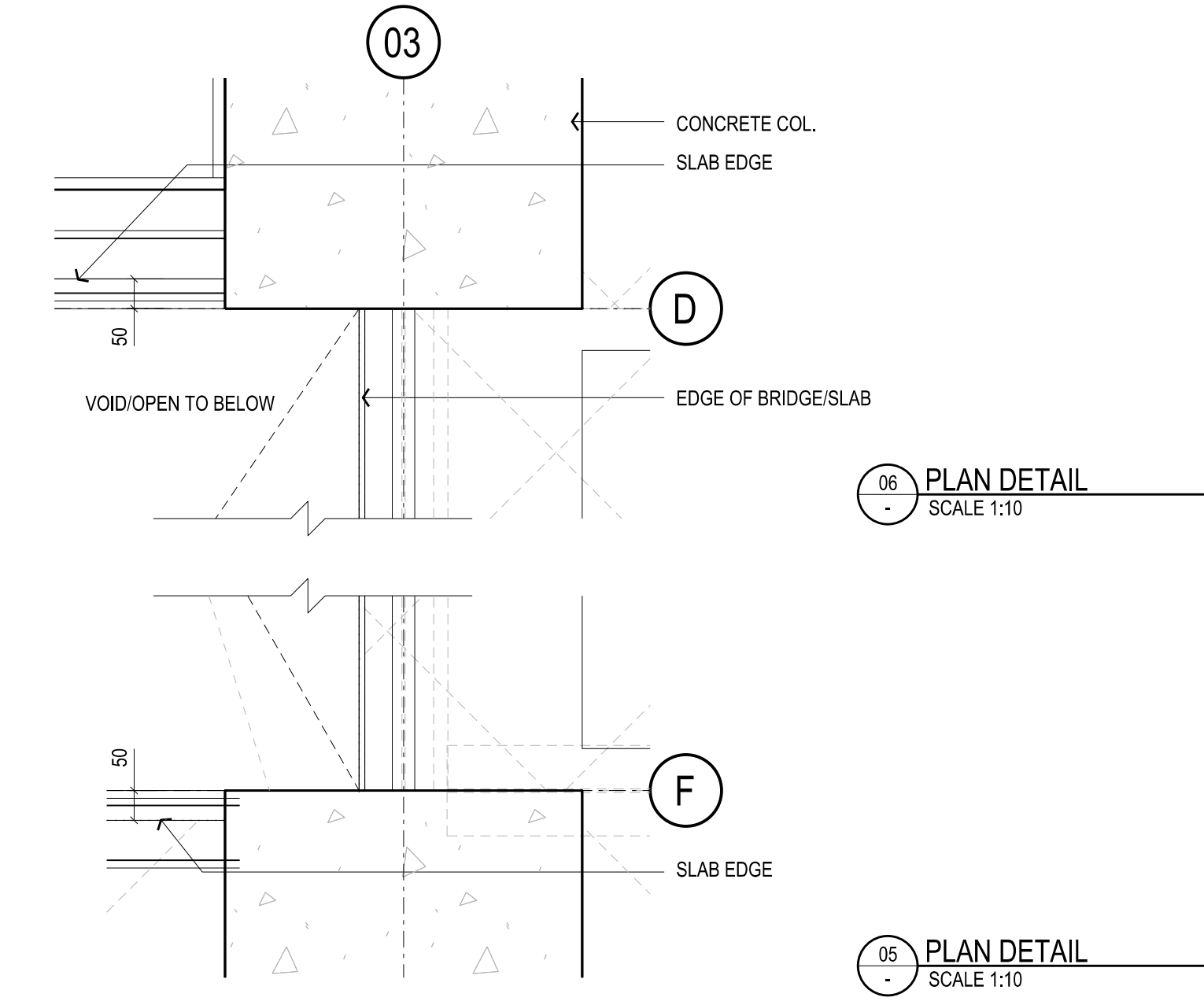
CONTRACTORS SHALL VERIFY JOB DIMENSIONS BEFORE ANY JOB COMMENCES. ALL SHOP DRAWINGS SHALL BE SUBMITTED TO THE SUPERINTENDENT AND MANUFACTURERS SHALL NOT COMMENCE FROM THE RETURN OF DRAWINGS MARKED BY THE CONSULTANT. DIMENSIONS SHALL TAKE PRECEDENCE OVER SCALE. THIS DRAWING SHALL BE READ IN CONJUNCTION WITH ALL RELEVANT CONTRACT SPECIFICATIONS AND DRAWINGS COPYRIGHT OF THIS DRAWING IS VESTED IN WARDLE

General Notes

G	SG	CR ADDED	27.09.13
F	SG	CR SIZES REV. TO SUIT BALLUSTRADES	24.09.13
E	SG	CR SIZES REV. TO SUIT BALLUSTRADES	11.09.13
D	SG	CR SIZES REV. TO SUIT BALLUSTRADES	06.09.13
C	SG	CR SIZE MODIFIED TO SUIT	23.08.13
B	SG	SETOUT ADDED CR CLARIFIED	31.07.13
A	SG	PILE SETOUT REVISED (PCN-33)	23.04.13
07	SG	VALUE MANAGEMENT ISSUE	28.03.13
06	SG	100% CD - TENDER ISSUE	07.05.12
05	SG	90% CD ISSUE	10.08.12
04	SG	75% CD ISSUE	13.07.12
03	SG	50% CD ISSUE	01.06.12
02	SG	FINAL CD ISSUE	24.02.12
01	SG	DD UPDATE	20.01.12
Rev	Issue	Revision Description	And Date



**SUPERSEDED**  
MECH. FRENCH DETAIL



**NADAAA**  
NADAAA  
1520 Washington Street No.2 Boston Massachusetts 02118 USA  
Telephone +1 617 442 8232 Facsimile +1 688 442 1417 Email nadaa@nadaaa.com

**John Wardle Architects**  
25 Rokeby Street, Collingwood, Victoria 3066 Australia  
Tel: +61 3 8662 0400 www.johnwardlearchitects.com  
© 2012 John Wardle Architects ABN 83 006 814 268

Client **University of Melbourne Parkville Campus**

Project **Faculty of Architecture Building and Planning**

Title **CONCRETE DETAILS SHEET 1**

Project No.	<b>0913</b>	Scale	A/S
Drawing No.	<b>AR4700</b>	Revision	<b>G</b>

Date: Jan 2012 Drawn: Co-Ord: Check:

FILENAME: SFILES

**FOR CONSTRUCTION**